

# **HOW TO USE YOUR 3000 RANGE L.P.G. COOKER OR HOB UNIT**

<b>ENGLISH</b>	<b>PG</b>	<b>3</b>
<b>DIAGRAMS</b>	<b>PG</b>	<b>12</b>
<b>FRANCAIS / BELGIQUE</b>	<b>PG</b>	<b>14</b>
<b>SWEDISH</b>	<b>PG</b>	<b>22</b>
<b>NETHERLANDS</b>	<b>PG</b>	<b>28</b>
<b>DEUTSCH / ÖSTERREICHER</b>	<b>PG</b>	<b>36</b>
<b>FINNISH</b>	<b>PG</b>	<b>44</b>



## CAUTION

These instructions must be read and understood before proceeding with the installation and to avoid any possibility of accident it is essential that the appliances are installed and operated in accordance with these instructions.

No unit should be installed in a room, van or craft if fixed ventilation is not provided.

No alterations or adjustments should be made to the burners or gas supply pressure by unauthorised or unskilled persons. In the event of a failure or breakdown of a unit itself, turn off the gas supply at the cylinder or isolating cock valve for the unit and contact the supplier.

Do not remove any parts from the appliance or substitute alternatives as this may affect the performance and safety of the appliance.

The installation should be carried out in accordance with the appropriate codes of practice for the country in which the installation is done.

If aluminium foil is used in the oven, then it must not be allowed to block the oven flue outlet or smother the burner.

Do not spray aerosols in the vicinity of these appliances while they are in operation.

Do not use this appliance to heat the vehicle or craft.

Turn off the grill once the grill pan has been removed.

Be sure appliance taps are closed before opening cylinder valve.

Be sure to apply ignition source to burner before opening appliance valve.

If you wish to drill the sides for your own gimbals you must first remove the right hand side for drilling as there is a gas pipe behind this panel.

When a flexible hose is used do not allow the hose to come into contact with the back panel.

In any communication, it is essential to quote the model and number marked on the data badge on the back of the appliance.

Our policy is one of continuous development and for this reason we reserve the right to change the product details and specification without prior notice.

## INSTALLATION INSTRUCTIONS

This unit should be installed according to the current standards in practice in the country of installation.

BS 5482 : Part 2 Installations in caravans and non-permanent dwellings  
Part 3 Installations in boats, yachts and other vessels.

BS 6172 : Code of practice for installation of domestic gas cooking appliances.

THESE APPLIANCES MUST BE INSTALLED BY A COMPETENT PERSON (e.g. a 'Gas Safe' registered gas fitter)

## VENTILATION

Adequate ventilation must be provided to ensure the cooker unit works in a safe and efficient manner. If fixed ventilation is not provided two ventilation openings of 95 cm<sup>2</sup> must be provided, one near floor level and one near ceiling level. Do not install cookers and hobs in areas subjected to strong draughts.

## INSTALLATION

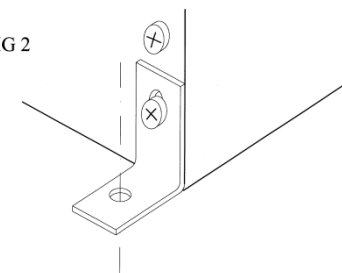
The unit should only be installed in the countries indicated on the dataplate using the correct gas at the indicated pressure as detailed in figure 1.

Figure 1

Category	Gas	mbar	Country
I <sub>3+</sub>	G30	28	GB,IE,FR,BE,IT,ES,PT
I <sub>B,P</sub>	G30	30	NL, SE, FI, DK
I <sub>B,P</sub>	G30	50	DE, AT
Heat Input Rates : H <sub>S</sub> (Model Dependant)			
Hob Burner	Rapide	2.4 kW.	
	Semi-Rapide	1.6 kW.	
	Auxillary	1.0 kW.	
Oven		1.4 kW.	
Grill		1.4 kW.	

This unit must be fixed in place using either the feet or a gimbal system.

FIG 2

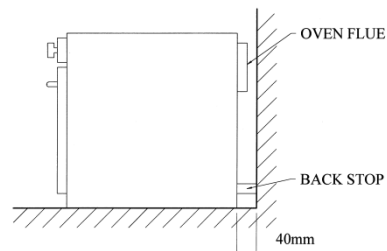


Adjustable feet can be supplied to secure the appliance in position. These are fixed at the existing screw points / captivated nuts at each corner of the unit and to the base of the cabinet. (FIG. 2)

If using a gimbaling system, ensure the bulkhead is of sufficient strength to hold the weight of the unit and that the gas inlet pipe is free to move with the unit and at no time will become stressed or damaged.

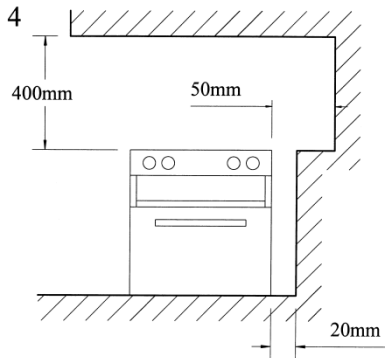
An air gap of 40 mm must be allowed at the rear of each cooker and a back stop is fitted to ensure that this gap is maintained. (FIG 3)

FIG 3



There should be no obstruction above the hob burners for a minimum height of 400 mm. (FIG 4)

FIG 4



Where cookers are to be fitted into a recess or built in to a unit an air gap of 20 mm must be kept at each side (FIG 4). Use a non-combustable material for the surround such as 0.5

mm sheet steel.

Ensure that no obstruction to the units air flow is permitted at the base, sides or back. Obstruction of the air flow can cause inefficient combustion in the oven.

## UNIT DIMENSIONS (FIG 5)

Measurements	Height (mm)	Width (mm)	Depth (mm)
Neptune	575	500	420
Pacific	440	500	420
Neptune Hob	220	500	420
Gulf	100	500	380
Caribbean	420	500	420

## GAS CONNECTION

These appliances are strictly for use on liquid petroleum gases at the following pressures to the inlet

28 mbar (11.2 in w.g.) for Butane (G30)

37 mbar (14.8 in w.g.) for Propane (G31)

The gas inlet is located at the rear, top left hand side of the appliance. The gas inlet connection fitting to the appliance should be in accordance with installation requirements according to destination country and gas type as given in EN30-1 table A6. It is recommended that the connecting pipe is, where possible, copper, also that an isolating cock valve is installed in the supply pipe to the unit. For units requiring a flexible pipe a suitable armoured pipe should be used.

Care should be taken during installation to prevent the supply pipe from being held against the back panel of the body.

The unit is fitted with a pressure test point, located next to the connection inlet. To check the supply pressure, remove the screw and fit a pressure gauge.

Once installed the gas connection should be tested for any gas leakage. DO ensure the area is well ventilated and DO NOT test for a long period; if there is a leak, a build up of gases may occur.

## BURNER ADJUSTMENT AND RATES

All burners are supplied ready for use on BUTANE (G30 @ 28 mbar) / PROPANE (G31 @ 37 mbar). No adjustment of the burners is required.

### Heat Input (model depending) :

See table 1.

## OPERATING INSTRUCTIONS

MAKE SURE THAT THE GAS IS TURNED ON AT THE CYLINDER. IT IS RECOMMENDED THAT A SPARK IGNITION DEVICE IS USED RATHER THAN A NAKED FLAME.

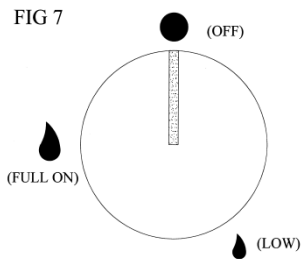
All burners are fitted with a Flame Failure Safety Shut Off Device (FFD). In the event of the flame being extinguished the gas supply will be cut off to the burner.

The flame should be blue although it may have some yellow tipping. The flame height should be level and stable.

Certain models are fitted with an electronic ignition system. This uses 1 x LR6 (AA) size battery. The battery holder is located beneath the spillage tray at the rear of the unit, on the right hand side. The battery should be checked at regular intervals to ensure their condition. To activate this system push in the button on the front of the fascia marked with a star. The ignition device should not be operated for more than 15 seconds. If after this time the burner has not lit, turn off the gas (and for the oven open the oven door) then wait for at least one minute before attempting further ignition of the burner.

To light a burner in the appropriate knob, rotate anti-clockwise to the full on position (the large flame symbol (FIG 7), setting 9 for the oven valve) and apply a spark to the burner. It should light immediately, but continue to hold the knob in for a further 15 seconds. If the burner goes out when the knob is released repeat the procedure but hold the knob in for longer before releasing. The tap can then be rotated to the desired setting (high through to low). If any of the burners on the appliance are found to have become extinguished then the valve must be switched off and the unit left for a period of 1 minute to allow any unburned gases to escape, before attempting to re-light the burner. If the oven burner has been extinguished the oven door should be opened as well.

To turn off the gas, rotate the knob clockwise until you reach the off position (the ● symbol vertically above the knob).



The use of a gas cooking appliance results in the production of heat and moisture in the room in which it is installed. Ensure that the kitchen is well ventilated; keep natural ventilation holes open or install a mechanical ventilation device (mechanical extractor hood). Prolonged intensive use of this appliance may call for additional ventilation, for example the opening of a window, or more effective ventilation, for example increasing the level of mechanical ventilation where present.

## HOBS

Any required setting between full and low/simmer can be obtained by positioning the knob between these two settings. The hob burners are suitable for pan sizes ranging from 10 cm to 22 cm base diameter (4" to 8½").

## GRILL

It is recommended that an oven glove is used when using the grill as the grill pan handle may become hot if the pan is placed too far under the grill. For maximum efficiency place the pan about 30 mm from the front edge of the grill compartment base. It is not necessary to preheat the grill but if a preheat period is used the empty grill pan should be placed under the grill to protect the grill base.

The grill pan trivet is reversible giving a choice of two grilling heights.

## OVEN

The best results will be obtained by pre-heating the oven for about 15/20 minutes at the required gas setting. The tap has 9 marked settings which correspond to the temperature given below. Intermediate temperatures can be obtained by turning the knob to the appropriate setting.

The oven will cook a wide range of food from a rich fruit cake, using a low setting to bread or Yorkshire pudding using the higher settings.

Position 1	110°C
Position 2	125°C
Position 3	140°C
Position 4	155°C
Position 5	170°C
Position 6	195°C
Position 7	210°C
Position 8	225°C
Position 9	240°C

## COOKER ACCESSORIES (SUPPLIED ACCORDING TO MODEL)

**Pan Support** - The pan support is located in 4 holes on the main hob. The pan support is hooked into the rear holes and then sprung into place at the front edge to prevent rattling.

**Oven Shelf** - To fit an oven shelf, place the shelf so that the hooks are to the back of the cooker, ensuring that they pass under the oven shelf runners and lift the notches above the runners. If the shelf is correctly fitted it will not tip when pulled forward. (FIG 8)

**Door Catch** - Certain cookers are fitted with a wire door catch which is sprung into holes in the sides of the cooker and dropped down over the door. The same catch can be used as a grill pan stop by fixing the wire in the upper pair of holes.

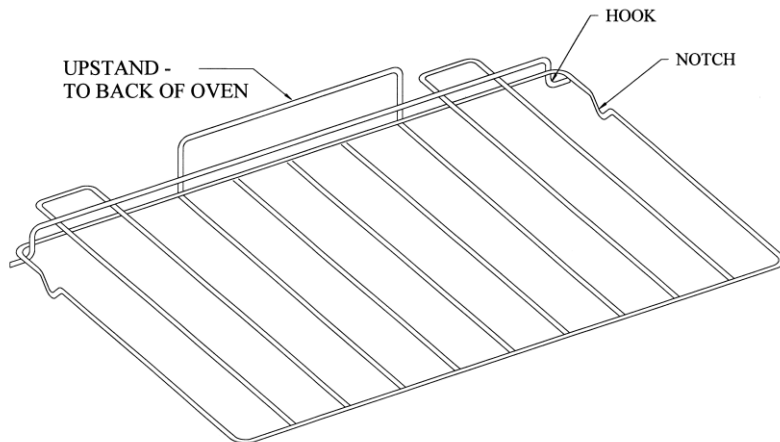
**Gimbal Lock** - On models fitted with a gimbal lock below the oven door the gimbal plate should be fixed to the bulkhead such that when the cooker is locked the hob top is level.

### Baking Tray

### Grill Pan and Trivet

**Feet** - Used to fix the unit in place. See the installation instructions at the front of the booklet.

FIG 8



## CLEANING

1. Each time the hob has been used it should be wiped over with a damp cloth and if greasy a little mild liquid cleaner.
2. Stubborn marks can generally be removed with one of the commercial cleaners. Do not use harsh abrasive materials as these will leave scratch marks.
3. The interior of the oven should be cleaned with a damp cloth but if it becomes necessary to use a cleaner then choose an appropriate enamel cleaner.
4. All spillages should be wiped up immediately before they "burn on".

We recommend that you occasionally remove the enamelled tops to your burners and clean them ensuring the ports in the top are free from dirt and grease.

If properly adhered to, these few simple suggestions should extend the life of your cooker.

## MAINTENANCE

Before attempting any maintenance work make sure that the gas supply is turned off at the cylinder and disconnected from the unit. If the spillage tray is removed care must be taken to ensure that the gas joints are not stressed as this may result in a gas leak. **NO GAS JOINT SHOULD BE BROKEN.**

### To Remove a Spillage Tray

- Remove the pan support grid.
- Unscrew the 4 pan support screws.
- Release the socket screw on the side of each burner and remove the enamel cap.
- The spillage tray can then be lifted clear.

### To Replace a Hob Thermocouple

- Remove the spillage tray as explained above.
- Release the thermocouple from the back of the tap.
- Release the nut holding the thermocouple into the burner.
- The new thermocouple can then be bent to shape and the process reversed.

### To Replace a Grill Thermocouple

- Remove the spillage tray as explained above.
- Release the thermocouple from the rear of the tap.
- Disconnect the probe from the grill hood inside the grill compartment and remove.
- Fit the new thermocouple ensuring the tip of the probe is in line or slightly above the holes in the grill tube and no further than 4 mm away.

## To Remove an Oven Thermocouple

- Remove the spillage tray as explained above.
- Remove the 2 feet on the bottom of the left hand side panel. The side panel can then be removed.
- Unscrew and remove the back panel.
- Release the thermocouple nut from the rear of the tap.
- Release the nuts holding the probe in position over the burner at the back of the oven compartment.
- Remove the old thermocouple through the side and replace with the new one ensuring that it is clear of the door springs.
- The tip of the thermocouple should be approximately 15 mm above the centre of the burner.
- To replace the side all the edges should be inside the chassis.

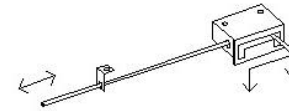
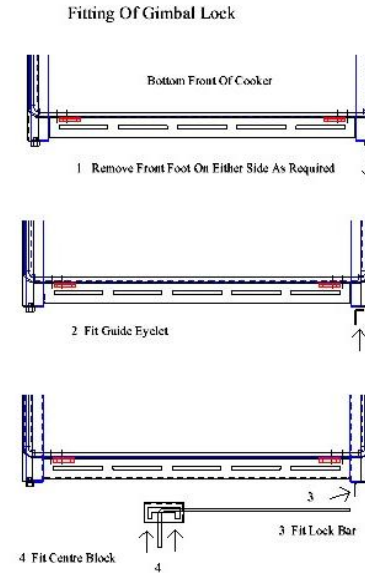
The gas valves fitted to this unit are not to be stripped for re-greasing or maintenance purposes. If required, the whole of the valve must be replaced. If the appliance needs more detailed servicing or replacement of other parts this servicing should be carried out by a competent person (e.g. a CORGI registered fitter).

It is recommended that this appliance is professionally serviced every 2 years.

## SPARE PARTS

Description	Part No.
Oven Thermocouple	LPS 180-1
Grill Thermocouple	LPS 181-2
Hob Thermocouple	LPS 181-4
Oven Shelf	LPS 212-2
Pan Support	3 Burner Hob LPS 213-2
	2 Burner Hob LPS 213-3
Baking Tray	LPS 219-2
Grill Pan	LPS 220-1
Tap Knob	LPS 253-1

It is essential that you quote the **DATA PLATE** details (on rear of cooker) and the model and gas type when ordering spares.



## Fitting of Gimbal Brackets

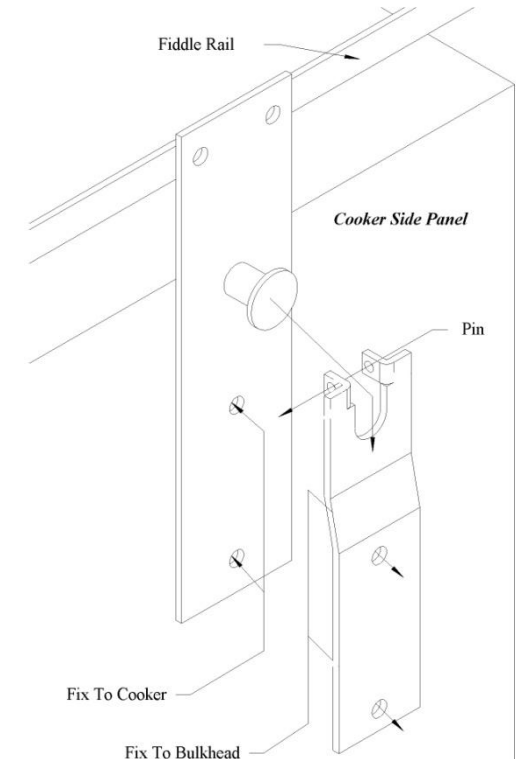
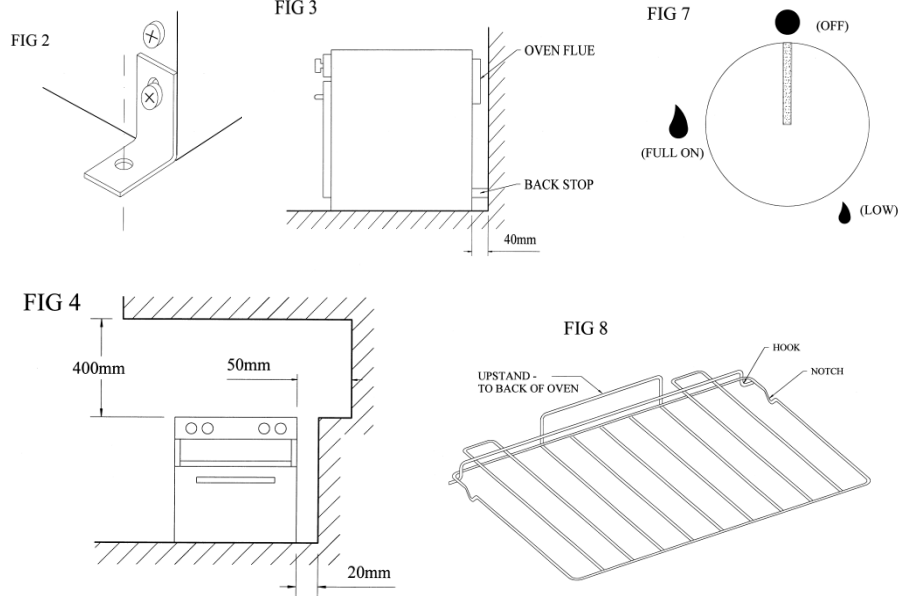


Figure 1

Category	Gas	mbar	Country
I <sub>3+</sub>	G30	28	GB,IE,FR,BE,IT,ES,PT
I <sub>B/P</sub>	G30	30	NL, SE, FI, DK
I <sub>B/P</sub>	G30	50	DE, AT
Heat Input Rates : H <sub>S</sub> (Model Dependant)			
Hob Burner / Plaques / Kookplaatbrander / Hällbrännare / Herdplatte / Liesipoltin	Rapide	2.4 kW.	
	Semi-Rapide	1.6 kW.	
	Auxillary	1.0 kW.	
Oven / Four / Ugnbrännare / Ofen / Uunipoltin		1.4 kW.	
Grill / Grillbrander / Grillbrännare / Grillbrenner / Grillipoltin		1.4 kW.	



## NOTICE

### CONSEILS DE SECURITE

Ces instructions doivent être lues et comprises avant de procéder à toute installation. Pour éviter les risques d'accident, il est essentiel que les appareils soient installés et utilisés conformément au mode d'emploi.

Ne jamais utiliser un appareil de cuisson dans une pièce, caravane ou dans un bateau dépourvu d'un système fixe d'aération.

Seul un technicien spécialisé est habilité à effectuer des modifications ou réparations sur les brûleurs ou le système d'alimentation gaz. En cas de défaut ou de panne de l'appareil, fermez le robinet de la bouteille de gaz et contactez votre fournisseur.

N'enlevez aucune pièce de l'appareil ni ne substituez aucune pièce existante par une pièce différente car vous risquez de compromettre la performance et la sécurité de l'appareil.

L'installation devra être effectuée suivant les normes en vigueur du pays dans lequel l'appareil est utilisé.

Si du papier aluminium est utilisé dans le four, il ne devra en aucun cas bloquer la sortie de gaz, ni étouffer le brûleur.

Ne pas utiliser d'aérosols à proximité de ces appareils quand ceux-ci fonctionnent.

Ne jamais se servir de l'appareil pour chauffer le bateau.

Une fois la poêle du grill enlevée, éteindre le grill.

S'assurer de la fermeture de chaque robinet avant d'ouvrir la bouteille de gaz.

Présenter un allume-gaz ou une allumette aux brûleurs avant d'ouvrir le gaz.

Le panneau gauche des appareils de cuisson cache un tuyau d'alimentation gaz. Si vous souhaitez adapter votre propre cardan, ce panneau doit être démonté avant d'être percé.

Si un tuyau souple est utilisé, éviter tout contact avec le panneau arrière de l'appareil.

Pour toute réclamation, indiquez les références inscrites sur l'étiquette fixée à l'arrière de votre appareil.

## CONSEILS D'INSTALLATION

L'installation devra être effectuée suivant les normes en vigueur du pays dans lequel l'appareil sera utilisé:

BS 5482 Chapitre 2, Installation dans une caravane ou pièce d'habitation provisoire

Chapitre 3, Installation dans un bateau, yacht ou autre type d'embarcation

BS 6172 Norme en vigueur pour l'installation des appareils de cuisson à gaz domestique

**SEUL UN TECHNICIEN SPÉCIALISÉ EST HABILITÉ À EFFECTUER L'INSTALLATION DE L'APPAREIL.**

## AÉRATION

Pour des raisons de sécurité et d'efficacité, un système d'aération adéquat devra être prévu. Si un système d'aération fixe n'est pas prévu, deux bouches d'aération de 95cm<sup>2</sup> minimum devront être aménagées, l'une au niveau du sol et l'autre au niveau du plafond,. Cependant, les appareils de cuisson ne devront pas être exposés aux courants d'air.

## INSTALLATION

L'appareil ne doit être installé que dans les pays indiqués sur la plaque en s'assurant que le gaz est utilisé à la bonne pression, comme indiqué ci-après (diagr.1).

L'appareil doit être installé soit avec des cardans, soit avec des équerres.

Des équerres ajustables peuvent être utilisées pour consolider la position de l'appareil. Celles-ci sont fixées à chaque coin et à la base de l'appareil sur des points de vis existants (diagr. 2)

Si des cardans sont utilisés, s'assurer que la cloison est suffisamment solide pour tenir le poids de l'appareil, et que le tuyau de gaz n'est ni coincé, ni ne pourra à aucun moment être endommagé.

Un espace libre de 4cm doit être laissé derrière l'appareil pour permettre la circulation d'air. Cet espace est maintenu à l'arrière par un étrier de déport (diagr. 3).

L'espace au-dessus des brûleurs ne doit pas être obstrué jusqu'à hauteur minimale de 40 cm (diagr. 4).

Si l'appareil est fixé dans un recoin ou encastré dans des éléments de mobilier, prévoir un espace de 2 cm de chaque côté de l'appareil. Entourer l'appareil de matériaux ininflammables comme de l'acier (tôle de 0,5 mm par exemple).

S'assurer que rien n'obstrue l'arrivée d'air à la base, ni sur les côtés ni au-dessus du four. Une déficience de l'arrivée d'air peut mener à une mauvaise combustion dans le four.

## DIMENSIONS DES APPAREILS

Modèle	Hauteur (cm)	Largeur (cm)	Profondeur (cm)
Neptune	58	50	42
Pacific	44	50	42
Neptune Hob	22	50	42
Gulf	10	50	38
Caribbean	42	50	42

## BRANCHEMENT DU GAZ

Tous nos appareils de cuisson fonctionnent uniquement au gaz butane ou propane aux pressions suivantes :

28 mbar pour le Butane (G30)

37 mbar pour le Propane (G31)

Pour l'entrée de gaz, située en haut à gauche à l'arrière de l'appareil. Il est conseillé d'installer, dans la mesure du possible, un tuyau de raccordement en cuivre, ainsi qu'un robinet d'arrêt sur le tuyau d'alimentation. Pour des appareils où un tuyau souple est utilisé, un tuyau renforcé est conseillé. Pendant l'installation, veiller à ne pas faire coincer le tuyau d'alimentation contre le panneau arrière de l'appareil.

Après installation de l'appareil, vérifier, dans un endroit bien aéré, qu'il n'y a pas de fuite de gaz. Ne pas tester pendant une période prolongée, car si une fuite existe, une accumulation de gaz peut se produire.

## REGLAGE DES BRULEURS

A la sortie d'usine, tous les brûleurs sont réglés pour du BUTANE (G30 @ 28 mbar) / PROPANE (G31 @ 37mbar).



## MODE D'EMPLOI

S'ASSURER QUE LE ROBINET DE LA BOUTEILLE DE GAZ EST OUVERT. IL EST CONSEILLÉ D'UTILISER UN « PIÈZO » PLUTOT QU'UNE ALLUMETTE.

Dans le cas d'extinction de la flamme, les brûleurs, équipés d'une sécurité thermo-couple, sont munis d'une valve qui coupe automatiquement le gaz.

La flamme doit être de couleur bleue, mais peut avoir des pointes jaunes. La hauteur de la flamme doit être stable.

Sur certains modèles un allumage électronique est disponible ; utiliser des piles 1 × LR6 (AA). Le boîtier à piles est situé sous la plaque de cuisson à l'arrière de l'appareil, à côté du tuyau d'alimentation. Vérifier les piles régulièrement. Pour enclencher le système d'allumage électronique, appuyer sur le bouton à l'avant mais pas plus de 15 secondes. Si aucune flamme n'apparaît sur le brûleur, couper le gaz (dans le cas du four, ouvrir la porte du four). Attendre une minute avant de répéter l'opération.

Pour allumer un brûleur, tourner complètement le bouton correspondant vers la gauche (symbole grande flamme, position 9 pour le four), voir diag. 7. Approcher un piézo du brûleur. Le brûleur devrait s'allumer immédiatement; continuer à appuyer sur le bouton pendant encore 15 secondes. Si le brûleur s'éteint, une fois le bouton relâché, recommencer l'opération en appuyant plus longtemps sur le bouton. Régler la flamme à la puissance désirée (de la position maximum à minimum). Si l'un des brûleurs s'éteint, fermer le robinet et attendre une minute avant de réutiliser l'appareil pour permettre aux gaz non brûlés de s'échapper. Si le four s'éteint, laisser la porte du four ouverte également.

Pour éteindre le brûleur, tourner le bouton vers la droite jusqu'à la butée (symbole ● juste au-dessus du bouton).

Tout endroit où se trouve l'appareil doit être bien aéré pour que chaleur et condensation s'évacuent ; installer une hotte ou s'assurer que des trous d'aération sont faits. En cas d'utilisation prolongée, ouvrir une fenêtre ou augmenter le niveau de ventilation mécanique.

## PLAQUES

Pour diminuer ou augmenter la flamme, tourner le bouton entre les positions maximum et minimum. Les brûleurs conviennent à toute casserole ou poêle de diamètre 10 cm à 22 cm.

## GRILL

Se munir d'un gant pour se servir du grill, car si la poêle du grill est mise trop loin sous le grill, la poignée de la poêle peut devenir très chaude. Pour une efficacité maximale, positionner la poêle à environ 3 cm du bord avant du grill. Il n'est pas nécessaire de préchauffer le grill, mais si une période de préchauffage est envisagée, y mettre la poêle, afin de protéger la base du grill.

La grille de la poêle est réversible afin de donner 2 hauteurs différentes.

## FOUR

Pour obtenir de meilleurs résultats, préchauffer le four sur la position désirée environ 15 minutes avant d'y introduire les plats. Le bouton a 9 positions qui correspondent aux températures ci-dessous. Des températures intermédiaires peuvent être obtenues en tournant le bouton à la position désirée.

Le four permet de cuisiner toute une gamme de plats de la plus basse température à la plus élevée.

Position 1	110°C
Position 2	130°C
Position 3	150°C
Position 4	170°C
Position 5	190°C
Position 6	210°C
Position 7	230°C
Position 8	250°C
Position 9	275°C

## ACCESSOIRES (FOURNIS SELON LES MODÈLES)

**GRILLE DE RECHAUD** - La grille de réchaud est d'abord insérée dans les deux trous arrière puis vient se rabattre fermement sur les deux trous avant, empêchant ainsi tout risque de vibration.

**GRILLE DE FOUR** - Pour installer la grille, présenter les crochets vers le fond du four, en les faisant passer sous la glissière de chaque côté du four et soulever les crans au-dessus des glissières. La grille est correctement installée si elle ne bascule pas lorsque vous la tirez. (diagr. 8)

**BLOCAGE DE PORTE** - Certains appareils de cuisson sont équipés d'une tige en métal qui permet de bloquer la porte en position fermée. Cette tige s'insère dans les trous situés sur les côtés de l'appareil et se rabat sur la porte pour la maintenir fermée. Utilisée en position haute, elle permet de caler la poêle de grill.

**BLOCAGE DE CARDAN** - Pour les modèles équipés de ce blocage de cardan sous la porte du four, s'assurer que le dessus du réchaud est bien stable et horizontal, lorsque l'appareil est fixé sur la cloison.

### PLAT POUR FOUR

**GRILL** - Poêle et grille de poêle

**EQUERRES** - Voir les instructions en début de notice.

## NETTOYAGE

1. Après chaque utilisation de l'appareil, passer une éponge humide. En cas de tâches de graisse, utiliser un produit détergent doux.
2. Les tâches rebelles peuvent être enlevées avec des produits d'entretien traditionnels. Ne jamais utiliser des abrasifs puissants qui rayeraient l'émail et l'inox.
3. L'intérieur du four se nettoie avec une éponge humide; s'il s'avère nécessaire d'utiliser un détergent, choisir un produit adapté au matériau.
4. Toute éclaboussure doit être nettoyée immédiatement afin d'éviter qu'elle n'adhère.

Il est conseillé d'enlever périodiquement les couvercles émaillés des brûleurs afin de les nettoyer.

En suivant ces quelques suggestions d'entretien, vous conserverez mieux votre appareil.

## ENTRETIEN

Avant de procéder aux travaux d'entretien, s'assurer que le robinet de la bouteille de gaz est fermé et débranché de l'appareil. Si la plaque de cuisson a été retirée, attention à ne pas faire exercer de pression sur les joints de gaz, ce qui pourrait entraîner une fuite de gaz. Aucun joint ne doit être cassé.

### Pour enlever une plaque de cuisson :

- Retirer la grille du réchaud.
- Dévisser les 4 vis situées à chaque coin de la plaque de cuisson.
- Retirer la vis située sur le côté de chaque brûleur puis enlever le couvercle émaillé.
- La plaque de cuisson peut maintenant être retirée.

### Remplacement du thermocouple des plaques:

Retirer la plaque de cuisson en suivant les instructions ci-dessus.

Libérer le thermocouple de l'arrière du robinet.

Déserrer l'écrou qui attache le thermocouple au brûleur.

Mettre le nouveau thermocouple en place en lui donnant sa forme pour qu'il aille au robinet.

### Remplacement du thermocouple du grill:

- Retirer la plaque de cuisson en suivant les instructions ci-dessus.
- Libérer le thermocouple de l'arrière du robinet.
- Débrancher la sonde du capot du grill et l'enlever.
- Mettre le nouveau thermocouple en place en s'assurant que la pointe de la sonde s'aligne avec les trous du grill et qu'elle est à 4 mm maximum du tube.

### Démontage du thermocouple du four:

- Retirer la plaque de cuisson en suivant les instructions ci-dessus.
- Retirer les deux équerres sous le côté gauche du panneau. Le panneau peut ensuite être enlevé.
- Retirer les vis et enlever le panneau arrière.
- Déserrer l'écrou du thermocouple de l'arrière du robinet
- Déserrer les écrous qui retiennent la sonde au-dessus du brûleur à l'arrière du four.
- Enlever l'ancien thermocouple par le côté et mettre le nouveau en place en s'assurant qu'il ne se coince pas dans la porte.
- La pointe du thermocouple doit se trouver à environ 1,5 cm au-dessus du milieu du brûleur.
- Pour remettre le panneau, s'assurer que chaque bord est bien à l'intérieur du châssis.

Les robinets de gaz de cet appareil ne doivent pas être décapés pour graissage ou tout autre forme d'entretien. Si nécessaire, remplacer tout le robinet.

Pour toute autre réparation ou entretien, contacter un technicien habilité.

Il est conseillé de faire réviser l'appareil tous les deux ans.

## PIECES DETACHEES (NOUS CONTACTER À L'ADRESSE SUIVANTE:)

Pièce	N° Pièce
Thermocouple four	LPS 180-1
Thermocouple plaques	LPS 181-4
Thermocouple grill	LPS 181-2
Grille du four	LPS 212-2
Grille de Rechaud - 3 plaques	LPS 213-2
- 2 plaques	LPS 213-3
Plat pour four	LPS 219-1
Poêle du grill	LPS 220-1
Manette du robinet	LPS 252-1

**Pour commander des pièces détachées, donner les indications qui se trouvent sur la plaque à l'arrière de l'appareil, ainsi que modèle et le type de gas utilisé.**

## BRUKSANVISNING FÖR DITT KÖK / SPIS I 3000-SERIEN

### SÄKERHETSDETALJER

Läs noga igenom dessa instruktioner innan användning och installation. Det är viktigt att montering görs enligt dessa instruktioner för att undvika olyckor.

Alla gasolkök/spisar skall monteras i utrymmen där det är sørjt för god ventilation.

Inga ändringar får göras på brännare eller gasförsörjning. Vid fel på köket/spisen, stäng av gasoltillförseln vid flaskan och kontakta fackman.

Ta ej bort eller montera på annan utrustning på köket/spisen då detta kan påverka apparatens prestanda och säkerhet.

Apparaten skall monteras i överensstämmande med gällande nationella regler.

Om aluminiumfolie används vid tillagning, tillse att den ej blockerar ventilationen eller ligger på brännaren.

Använd ej aerosolspray i närhet av köket/spisen vid användning.

Använd ej köket/spisen för uppvärmning.

Stäng av grillen när grillpannan har tagits ur.

Tillse att alla ventiler är stängda vid byte av gasolflaska.

Om du önskar borra i kökets/spisens sidor för att fästa någon balansupphängning, ta av apparatens vänstra sidoplåt (framifrån sett) eftersom denna döljer ett gasolrör.

Om gasolslang används, se till att denna inte ligger emot spisens baksida.

Vid kontakt med återförsäljare eller importör, referera alltid till typnummer som finns stansat på apparatens baksida.

## MONTERINGSANVISNING

Denna apparat skall monteras i överensstämmelse med gällande nationella regler.

**GÅ IGENOM MONTERING OCH INSTALLATION MED FACKMAN.**

### VENTILATION

Tillse att det finns tillräcklig ventilation för att köket/spisen skall fungera säkert och effektivt. Om ventilationen ej bedöms tillräcklig, montera två stycken ventilationsrör med en öppning på vardera minst 95 cm<sup>2</sup> i golvnivå.

### INSTALLATION

Denna apparat får endast installeras i länderna noterade på spisens baksida med användning av det gastryck som synes nedan (fig 1).

Köket/spisen måste monteras fast med antingen balansupphängning eller på fötterna.

Justerbara fötter kan monteras för att säkra spisens fasta position. För detta finns förborrade hål i varje hörn och fasta muttrar (fig 2). Skruvmått är M4.

Om balansupphängning används, se till att fästskotten är tillräckligt starka för spisens vikt och att gasolslangen ej kan komma i kläm.

En luftspalt på 40 mm måste finnas bakom spisen och för att säkerställa detta är en stopplack monterad (fig 3).

Köket/spisen kräver en fri höjd räknat från den högst belägna brännaren om minst 400 mm (fig 4). Täck skottväggarna med ett icke brännbart material ( t ex 5 mm plåt).

Montera alltid apparaten på ett sådant sätt att lufttillförsel finns från alla håll. Otillräcklig lufttillförsel kan orsaka ineffektiv förbränning.

### DIMENSIONER (FIG 5)

Modell	Höjd (mm)	Bredd (mm)	Djup (mm)
Neptune	575	500	420
Pacific	440	500	420
Neptune Hob	220	500	420
Gulf	100	500	380
Caribbean	420	500	420

## GASOLANSLUTNING

Dessa spisar är endast gjorda för att använda gasol med följande gastryck:

28 mbar för Butan (G30)

37 mbar för Propan (G31)

Anslutningen för gasol är på baksidan längst upp till vänster. Vi rekommenderar att kopparrör används till anslutningen. Om detta inte är möjligt skall alltid en godkänd gasolslang användas. Se alltid till att slangen inte kan komma i kontakt med baksidan av spisen.

Spisen är utrustad med en ”test point”, som är placerad vid gasolanslutningen. För att testa trycket, skruva ut skruven och testa med tryckmätare.

När spisen är installerad skall ev läckage alltid kontrolleras. Om läckagetestare inte finnes skall alla kopplingar kontrolleras med en skummande vätska ( t ex mild tvållösning).

OBS ! Se alltid till att utrymmet är väl ventilerat och testa under kort period. Vid ev läckage finns risk för gasansamling.

### JUSTERING AV BRÄNNARE

Alla brännare är förberedda för att använda Butan (G30 @ 28 mbar) / Propan (G31 @ 37 mbar).

### HANDHAVANDE

**SE TILL ATT VENTILEN ÄR ÖPPEN VID FLASKAN. VI REKOMMENDERAR ATT NI TÄNDER LÅGAN MED EN GNISTTÄNDARE.**

Alla brännare har tändsäkring som standard, vilken automatiskt stänger av gasoltillförseln vid händelse av att flammen slocknar. Flammen skall brinna med blå färg med en gul topp. Flammans höjd skall vara konstant och brinna jämnt.

För att tända spisen, tryck in knappen för vald brännare, vrid motsols till maxläge (den stora flamsymbolen enl fig 7 eller på ugnbrännaren 8) och tänd med en gnisttändare. Brännaren skall tända omedelbart, men håll knappen intryckt under 15 sekunder. Om flammen slocknar, upprepa proceduren men håll knappen intryckt längre, ca 30 sekunder. Knappen kan efter antändning ställas på den nivå som önskas.

Om någon av spisens brännare oavsiktligt skulle slockna måste gasolventilen stängas av och återtändning får ej ske förrän efter 1 minut så att den oförbrända gasolen skall hinna försvinna.

Om en brännare slocknar måste även ugnsluckan öppnas. För att stänga av brännaren, vrid knappen till ● läget på knappen.

Användning av en gasolspis medför ökad värme och fuktighet i rummet den är installerad. Se till att ventilationen är god, håll den naturliga ventilationen öppen eller installera enligt tidigare beskrivning. Långvarig och intensiv användning av spisen kan kräva extra ventilation, varför öppning av lucka/fönster eller installation av ventilator kan behövas.

## SPISHÄLL

Lågan har en steglös inställning mellan min- och maxläge. Spishällen är lämplig för kastruller mellan 10 och 22 cm i diameter.

## GRILL

Använd grytlappar vid användande av grillen då grillpannan kan komma för långt in under brännaren och handtaget blir då kraftigt uppvärmt. Placera fatet ca 30 mm in räknat från spiskanten. Det är inte nödvändigt att frövärma grillen, men om detta görs se till att grillpannan inte står i grillutrymmet. Pannan kan monteras i två lägen för olika grillstyrka.

## UGN

Det bästa resultatet får du om du förvärmer ugnen till det bestämda läget, vilket tar ca 15-20 minuter. Knappen har 8 olika lägen som indikerar temperaturlägen enligt nedan. Mellan markeringarna får du temperaturen mellan de båda lägena.

Läge 1	110 °C
Läge 2	135 °C
Läge 3	155 °C
Läge 4	180 °C
Läge 5	200 °C
Läge 6	225 °C
Läge 7	250 °C
Läge 8	270 °C

## TILLBEHÖR OCH UTRUSTNING (LEVERERAS BEROENDE PÅ MODELL)

**Kastrullhållare** - Den sitter fasthakad i de bakre hålen trycks sedan i de främre för att undvika rörelse.

**Ugnsgaller** - för att montera ett ugnsgaller, placera gallret så att hakarna är i ugnens bakända och på ett sådant sätt att de inte stör ”löparna” på sidan. Om den är korrekt monterad tappar den inte när den dras framåt (fig 8).

**Luckspärr** - kan även användas för att hålla kvar grillpannan genom en vridning uppåt.

**Upphängningsspärr** - på modeller utrustade med upphängningsspärr under ugnsluckan skall plattan fästas i skottet så att spisen är låst när spishällen står plant.

### Bakplåt

### Grillpanna

**Monteringsfötter** - se instruktionerna i under installation.

## RENGÖRING

1. Rengör hällen efter varje användning med rengöringsmedel.
  2. Använd rengöringsmedel avsedda för ändamålet.
  3. Använd ugnsgöringsmedel avsedda för gasolugnar. Emaljerade chassi skall rengöras med för ändamålet avsedda medel.
  4. Torka upp alla rester av rengöringen innan spisen skall användas.
- Vi rekommenderar att ni regelbundet skruvar av den emaljerade delen på brännaren och gör rent denna separat.

Regelbunden rengöring ökar spisens livslängd.

## UNDERHÅLL

Före underhåll tillse att gasol är avstängd på alla kranar och att slangen kopplas av. Var försiktig vid demontering av rör och slang då dessa lätt skadas. Skadas något måste det bytas ut.

### Demontering av häll

- Tag av kastrullhållaren
- Skruva loss de fyra skruvarna
- Skruva loss insexskruven vid sidan av resp brännare och ta bort den emaljerade kåpan
- Hällen kan därefter lyftas loss

### Att byta termostat

- Tag av hällen
- Tag loss termostaten från baksidan av kranen
- Tag bort muttern som håller termostaten på brännaren
- Montera den nya termostaten

### Att byta grilltermostat

- Tag av hällen
- Tag av termostaten från kranens baksida
- Tag av skyddet från grillskyddet inuti grillen
- Montera den nya termostaten

### Att byta ugnstermostat

- Tag av hällen
- Tag av de två fötterna på spisens vänstra sida, varefter sidopanelen kan plockas av
- Skruva av och tag bort baksidan
- Tag bort termostatmuttern från kranens baksida
- Lossa muttrarna som håller skyddet på plats över brännaren i ugnens bakre del
- Tag bort den gamla termostaten från sidan
- Montera den nya termostaten, toppen skall vara ca 15 mm från brännarens mittpunkt
- Montera tillbaka sakerna i omvänd ordning

Gasventilerna får ej demonteras för smörjning. Om dessa ej fungerar måste utbyte mot nya göras. Om ytterligare service krävs, kontakta fackman.

Vi rekommenderar service av denna produkt vartannat år.

## RESERVDELAR

Benämning	Artnr
Ugnstermostat	LPS 180-1
Grilltermostat	LPS 181-2
Hälltermostat	LPS 181-4
Ugnspanna	LPS 212-2
Slingerräcke	3 Hällbrännare LPS 213-2
	2 Hällbrännare LPS 213-3
Bakplåt	LPS 219-1
Grillpanna	LPS 220-1
Knapp	LPS 252-1

Var vänlig och uppge typnummer som står på spisens baksida vid beställning.

## GEBRUIKSAANWIJZING VOOR UW GASFORNUIS OF KOOKTOESTEL SERIE 3000

### LET OP

U dient deze gebruiksaanwijzing zorgvuldig te lezen en er zeker van te zijn dat u het begrijpt voordat u met de installatie begint. Ter voorkoming van ongelukken is het van groot belang dat de apparaten geïnstalleerd en gebruikt worden conform deze gebruiksaanwijzing.

Apparaten mogen niet worden geïnstalleerd in een ruimte, vaartuig of voertuig, indien geen permanente ventilatie aanwezig is.

Aan de branders en de gasdruk mag niets worden veranderd of afgesteld door onbevoegde of ondeskundige personen. In geval van een storing of defect van het apparaat zelf dient u de gastoevoer af te sluiten bij de tank of met de aparte afsluiter van het apparaat en contact op te nemen met de leverancier.

Verwijder geen onderdelen van het apparaat en vervang geen onderdelen door andere, aangezien dit de werking en de veiligheid van het apparaat kan beïnvloeden.

De installatie dient te worden uitgevoerd in overeenstemming met de geldende voorschriften van het land waar de installatie plaatsvindt.

Als u aluminiumfolie gebruikt in het apparaat moet u erop letten dat dit niet de rookgasuitlaat van de oven blokkeert of de brander verstikt.

Gebruik geen spuitbussen in de omgeving van deze apparaten terwijl ze in werking zijn.

Gebruik dit apparaat niet om het voertuig of vaartuig te verwarmen.

Zet de grill uit als de grillschaal is verwijderd.

Overtuig u ervan dat de kranen van het apparaat dicht zijn voordat u de kraan van de gasfles opent.

Houd een onstekingsbron bij de brander voordat u de kraan van het apparaat opent.

Als u gaten in de zijkanten wilt boren voor uw eigen cardanische ophanging, moet u de rechterkant verwijderen voordat u gaat boren, aangezien zich achter dit paneel een gasleiding bevindt.

Als een flexibele gaslang wordt gebruikt, dient ervoor gezorgd te worden dat deze het achterpaneel niet raakt.

Bij eventuele correspondentie is het van groot belang het model en nummer op te geven die vermeld zijn op het typeplaatje aan de achterkant van het apparaat.

## INSTALLATIEHANDLEIDING

Dit apparaat dient te worden geïnstalleerd volgens de in het land van installatie geldende voorschriften.

DEZE APPARATEN MOETEN WORDEN GEÏNSTALLEERD DOOR EEN DESKUNDIGE (b.v. een erkend gasfitter).

### VENTILATIE

Om er zeker van te zijn dat het fornuis op een veilige en efficiënte manier werkt, dient voor afdoende ventilatie gezorgd te worden. Indien er geen permanente ventilatie is, dienen twee ventilatie-openingen gemaakt te worden van minimaal 95 cm<sup>2</sup>, één vlak boven de vloer en één bij het plafond. Plaats fornuizen en kookplaten niet in ruimten waar het sterk kan waaien of tochten.

### INSTALLATIE

Dit apparaat mag alleen worden geïnstalleerd in de op het typeplaatje aangegeven landen en voor gebruik van vloeibaar gas met de juiste drukregelaar, als hieronder aangegeven (FIG 1).

Het apparaat moet op zijn plaats worden vastgezet, ofwel met behulp van de voeten of in een cardanische ophanging.

Er zijn verstelbare voeten leverbaar, waarmee het apparaat vastgezet kan worden. Deze worden bevestigd in de schroefgaten die zijn aangebracht bij elke hoek van het apparaat en aan de onderzijde van de kast (FIG 2). Als een cardanisch systeem wordt gebruikt, zorg er dan voor dat het schot voldoende sterk is om het gewicht van het apparaat te dragen en dat de gasslang vrij kan bewegen met het apparaat en nooit onder spanning kan komen te staan of kan beschadigen.

Achter een fornuis moet een luchtspleet van 40 mm blijven. Om hiervoor te zorgen is aan de achterzijde een nok aangebracht (FIG 3).

Boven de branders van de kookplaat moet een vrije ruimte zijn van tenminste 400 mm hoog (FIG 4). Als fornuizen worden geïnstalleerd in een nis of in een aanrechtblok worden ingebouwd, moet aan elke zijde een luchtspleet van 20 mm blijven (FIG 4). Gebruik voor de omkasting onbrandbaar materiaal, bijvoorbeeld plaatstaal van 0.5 mm.

Zorg dat de luchtstroom aan de onderzijde van het apparaat niet wordt belemmerd. Belemmering van de luchtstroom kan onvolledige verbranding in de oven veroorzaken.

Bij langdurig en intensief gebruik van het apparaat kan aanvullende ventilatie nodig zijn, bijvoorbeeld door een raam te openen, of meer doelmatige ventilatie, door bijvoorbeeld eventueel aanwezige mechanische ventilatie te versterken.

## AFMETINGEN VAN DE APPARATEN (FIG 5)

Afmeting	Hoogte (mm)	Breedte (mm)	Diepte (mm)
Neptune	575	500	420
Pacific	440	500	420
Neptune Hob	220	500	420
Gulf	100	500	380
Caribbean	420	500	420

### GASAANSLUITING

Deze apparaten zijn uitsluitend bestemd voor gebruik met vloeibaar gas met gebruik van de juiste drukregelaar met de volgende druk aan de inlaat :

28 mbar voor butaan (G30)

37 mbar voor propaan (G31)

De gasinlaat bevindt zich linksboven aan de achterkant van het apparaat. Aanbevolen wordt om zo mogelijk een aansluitleiding van koper te gebruiken en een afsluitkraan te plaatsen in de toevoerleiding naar het apparaat. Voor apparaten die op een flexibele slang moeten worden aangesloten, dient een goedgekeurde gewapende slang gebruikt te worden. De slang dient minimaal elke drie jaar te worden vervangen. Tijdens het installeren dient ervoor gezorgd te worden dat de toevoerslang niet tegen het achterpaneel van het apparaat gemonteerd wordt.

Het apparaat is voorzien van een drukmeetpunt, naast de inlaataansluiting. Om de toevoerdruk te meten, verwijdert u de schroef en vervangt u deze door een manometer.

Als de gasaansluiting is geplaatst, dient deze te worden gecontroleerd op mogelijke gaslekage. Als er geen geschikte lekkagemeter beschikbaar is, dienen de aansluitingen te worden gecontroleerd met een geschikt schuimend middel (b.v. een milde zeepoplossing).

VERZEKER u ervan dat de ruimte goed is geventileerd en controleer NIET gedurende een lange periode, als er een lek is, kan zich gas verzamelen.

### AFSTELLING VAN DE BRANDERS EN VERMOGENS

Alle branders worden gereed voor gebruik met BUTAAN (G30 @ 28/30 mbar) / PROPaan (G31 @ 37 mbar).

Termisch Vermogen :

## GEBRUIKSAANWIJZING

ZORG DAT DE GASFLES OPENGEDRAAID IS. GEBRUIK LIEVER EEN VONKONTSTEKER DAN EEN OPEN VLAM.

Alle branders zijn voorzien van een beveiliging tegen het doven van de vlam (thermische beveiliging). Als de vlam uit mocht gaan, wordt de gastoevoer naar de brander afgesloten.

De vlam dient blauw te zijn, maar mag wat gele punten hebben. De hoogte van de vlam dient gelijk en stabiel te zijn.

Sommige modellen zijn uitgevoerd met een elektronisch ontstekingssysteem. Dit werkt d.m.v. type LR6 (AA) batterijen. De batterijhouder bevindt zich onder de lekbak aan de rechter achterzijde van het kooktoestel. De batterijen dienen regelmatig te worden gecontroleerd en / of vervangen. De elektronische ontsteking wordt bediend door de drukschakelaar op de voorzijde, aangegeven met een ster. Het ontstekingssysteem mag niet langer dan 15 seconden worden ingedrukt. Als de brander niet is ontstoken, draai de gaskraan dan dicht, en als het de oven betreft open dan de ovendeur en wacht minstens 1 minuut voor u een nieuwe poging onderneemt.

Om een brander aan te steken, drukt u de desbetreffende knop in, draai deze naar links tot helemaal open (het symbool van de grote vlam - FIG. 7, stand 8 voor de ovenknop) en geef

een vonk bij de brander. De brander hoort direct te ontsteken, u moet de knop echter nog 15 seconden vasthouden. Als de brander uitgaat nadat u de knop heeft losgelaten, herhaal dan de procedure maar hou de knop wat langer ingedrukt voordat u hem loslaat. Daarna kunt u de knop in de gewenste stand zetten (hoog tot laag).

Indien een van de branders van het apparaat blijkt te zijn gedoofd moet de kraan worden gesloten en moet het apparaat gedurende 1 minuut afkoelen om onverbrande gassen te laten verdwijnen voordat de brander weer wordt ontstoken. Indien de brander van de oven is gedoofd, moet tevens de ovendeur worden opengezet.

Om het gas uit zetten, draait u de knop naar rechts tot de stand "uit" (het symbool ● recht boven de knop).

Het gebruik van gaskookapparatuur resulteert in de productie van warmte en vocht in de ruimte waarin de apparaten worden gebruikt. Zorg dat deze ruimte voldoende wordt geventileerd. Laat de natuurlijke ventilatieopeningen open of installeer een afzuigventilator. Intensief gebruik zal extra ventilatie, zoals het openen van een raam of deur noodzakelijk maken.

**Fig. 7**

Off	=	Uit
Full On	=	Hoog
Low	=	Laag

## KOOKPLATEN

Elke gewenste stand tussen hoog en laag / sudderen kan worden ingesteld door de knop tussen deze twee standen te zetten. De branders van de kookplaat zijn geschikt voor pannen met een bodemdiameter van 10 cm tot 22 cm.

## GRILL

Aanbevolen wordt een ovenhandschoen te gebruiken als u met de grill werkt, omdat het handvat van de grillschaal heet kan worden als de schaal te ver onder de grill wordt geplaatst. Het beste resultaat bereikt u als u de schaal ongeveer 30 mm van de voorste rand van de bodem van de grillruimte plaatst. Het is niet nodig de grill voor te verwarmen, indien dat wel gebeurt, moet de lege schaal onder de grill geplaatst worden om de bodem van de grill te beschermen.

De onderzetter van de grillschaal kan worden omgekeerd, waardoor u op twee verschillende hoogten kunt grillen.

## OVEN

Het beste resultaat verkrijgt u als u de oven gedurende 15 / 20 minuten in de gewenste stand voorverwarmt. De knop heeft 8 gemarkeerde standen die ongeveer overeenkomen met de hieronder vermelde temperaturen. Tusseliggende temperaturen kunnen worden ingesteld door de knop naar de gewenste stand te draaien.

In de oven kunt u allerlei gerechten klaarmaken, van een vruchtentaart bij een lage temperatuur tot brood bij hogere temperaturen.

Er wordt een eenvoudige tabel gegeven voor het bereiden van enkele basisgerechten op de middelste richel, maar u kunt natuurlijk naar hartelust experimenteren met uw oven door de hoeveelheden en soorten voedsel die u bereidt te variëren.

Stand 1	110°C
Stand 2	130°C
Stand 3	150°C
Stand 4	170°C
Stand 5	190°C
Stand 6	210°C
Stand 7	230°C
Stand 8	250°C



## ACCESSOIRES VAN HET FORNUIS

### (MEEGELEVERD, AFHANKELIJK VAN HET MODEL)

**panndrager** - De panndrager wordt eerst in de achterste gaten gehaakt en dan in de voorste gaten geklemd om rammelen te voorkomen.

**ovenrooster** - Een ovenrooster brengt u als volgt aan: plaats het opstaande deel van het rooster aan de achterkant van het fornuis, zorg dat de twee haken onder de roostergeleiders doorgaan en til de nokken boven de geleiders. Als het rooster juist is geplaatst, zal het niet omklappen als het naar voren wordt getrokken. Fig. 8.

**deursluiting** - Sommige fornuizen zijn voorzien van een deursluiting van ijzerdraad die verend klemt in de zijkanten van het fornuis en naar beneden over de deur gaat. Dezelfde sluiting kan worden gebruikt om een grillschaal vast te zetten door het ijzerdraad in de bovenste gaten te steken.

### **bakplaat**

### **grillschaal en onderzetter**

**voeten** - Worden gebruikt om het apparaat op zijn plaats vast te zetten. Zie de installatiehandleiding aan het begin.

### **Fig. 8**

- |                           |   |                              |
|---------------------------|---|------------------------------|
| • Upstand to back of oven | = | Opstaande deel achterin oven |
| • Hook                    | = | Haak                         |
| • Notch                   | = | Nok                          |

## REINIGEN

1. Elke keer als de kookplaat is gebruikt, moet deze schoongeveegd worden met een vochtige doek. Gebruik een vloeibaar reinigingsmiddel als de plaat vettig is.
2. Hardnekkige vlekken kunnen meestal worden verwijderd met een gewone allesreiniger. Gebruik geen agressieve schuurmiddelen omdat die krassen kunnen veroorzaken.
3. De binnenkant van de oven moet worden gereinigd met een vochtige doek. Mocht het echter nodig zijn een schoonmaakmiddel te gebruiken, neem er dan een dat is goedgekeurd voor gebruik op glasemaille.
4. Als u iets morst, verwijder het dan meteen om inbranden te voorkomen. Wij raden aan af en toe de geëmailleerde branderdeksele te verwijderen en schoon te maken om te zorgen dat de openingen in de bovenkant vrij zijn van vuil en vet.

Als u zich goed aan deze paar simpele aanwijzingen houdt, gaat uw fornuis langer mee.

## ONDERHOUD

Sluit voordat u onderhoud gaat verrichten altijd de gastoevoer af bij de tank en koppel deze los van het apparaat. Als de lekbak wordt verwijderd, let er dan op geen kracht uit te oefenen op de gaskoppelingen, aangezien dat een gaslek kan veroorzaken. **GEEN ENKELE GASKOPPELING MAG WORDEN LOSGEMAAKT**

### **een lekbak verwijderen**

- Verwijder de panndrager
- Schroef de 4 bevestigingsschroeven los
- Maak de inbusbout aan de zijkant van de brander los en verwijder de geëmailleerde kap.
- De lekbak kan er nu uitgetild worden.

### **een thermokoppel van een kookplaat vervangen**

- Verwijder de lekbak als boven beschreven.
- Maak het thermokoppel los van de achterkant van de kraan.
- Maak de moer los waarmee het thermokoppel vastzit in de brander.
- Het nieuwe thermokoppel kan nu in de juiste vorm gebogen worden en alles kan weer in de omgekeerde volgorde worden gemonteerd.

### **een thermokoppel van een Grill vervangen**

- Verwijder de lekbak als boven beschreven.
- Maak het thermokoppel los van de achterkant van de kraan.
- Maak de sonde los van de grillkap in het grill compartiment en verwijder deze.
- Plaats het nieuwe thermokoppel en zorg dat de top van de sonde op gelijke hoogte zit met of iets boven de gaten in de grillbuis en verder dan 4 mm daar vandaan.

### **een thermokoppel van een oven verwijderen**

- Verwijder de lekbak als boven beschreven.
- Verwijder de 2 voeten onder het linker zijpaneel en neem dit paneel weg.
- Schroef het achterpaneel los en neem dit paneel weg.
- Maak de moer van het thermokoppel los van de achterkant van de kraan.
- Maak de moeren los die de sonde op zijn plaats houden aan de achterzijde van het oven compartiment.
- Verwijder het oude thermokoppel via de zijkant en vervang het door een nieuw, let erop dat het vrij ligt van de veren van de deur.
- De top van het thermokoppel moet ongeveer 20 mm boven het midden van de brander zitten.
- Bij het terugplaatsen van de zijkant moeten alle randen binnen de omkasting zitten.
- De bovenrand van het achterpaneel moet onder de lekbak zitten en de rookgasafvoer van de oven moet door het gat in de achterkant steken.

De op dit apparaat gemonteerde gaskranen mogen niet worden gedemonteerd voor onderhoud of smeren. Zo nodig moet de gehele kraan worden vervangen.

Als het apparaat uitgebreider onderhoud nodig heeft of als andere onderdelen vervangen moeten worden, dient dit onderhoud door een deskundige te worden uitgevoerd (b.v. door een erkend gasfitter).

Aanbevolen wordt dit apparaat om de 2 jaar door een deskundige te laten onderhouden.

## ONDERDELEN

Omschrijving	Onderdeel nr.
Oven thermokoppel	LPS 180-1
Grill Thermokoppel	LPS 181-2
Kookplaat thermokoppel	LPS 181-4
Ovenrooster	LPS 212-2
Pannendrager	3 Kookplaatbranders LPS 213-2
	2 Kookplaatbranders LPS 213-3
Bakplaat	LPS 219-1
Grillpan	LPS 220-1
Kraanknop	LPS 252-1

Het is van essentieel belang dat u de gegevens van het TYPEPLAATJE (aan de achterkant van het apparaat) en het model en gastype vermeldt bij het bestellen van onderdelen.

## SICHERHEITSHINWEISE

Bitte lesen Sie diese Anleitung vor der Installation genau durchgelesen und verstanden werden. Um Unfälle zu vermeiden, müssen die Geräte nach dieser Anleitung installiert und benutzt werden.

Gerät nicht in Raum, Wohnwagen, Wohnmobil oder Boot einbauen, wenn kein permanentes Belüftungssystem vorhanden ist.

Von Laien und unbefugten Personen dürfen keine Änderungen oder Verstellungen an den Brennern oder am Gaszufuhrdruck durchgeführt werden. Im Falle von Versagen oder Störung des Geräts, Gaszufuhr an der Flasche oder am Absperrhahn abstellen und den Lieferanten benachrichtigen.

Keine Teile des Gerätes entfernen oder durch andere ersetzen, da dadurch Leistung und Sicherheit beeinträchtigt werden könnten.

Die Installation sollte nach den Vorschriften des Landes ausgeführt werden, in dem das Gerät installiert wird.

Wenn Aluminiumfolie im Ofen verwendet wird, ist zu beachten, dass diese nicht die Abzugsöffnung blockiert oder die Brenner erstickt.

Keine Sprühdosen in unmittelbarer Nähe des Geräts benutzen, wenn dieses in Betrieb ist.

Nicht als Heizung des Fahrzeugs oder Bootes verwenden.

Grill abstellen, wenn die Grillpfanne herausgenommen wird.

Vor Öffnung des Flaschenventils überprüfen, dass alle Hähne am Gerät geschlossen sind.

Vor Öffnen des Hahns, Zündvorrichtung an den Brenner halten.

Wenn Sie auf den Seiten die Löcher für die Kardanringe bohren wollen, erst die rechte Seitenwand abnehmen, da sich dahinter eine Gasleitung befindet.

Bei Verwendung eines flexiblen Schlauches, bitte beachten, dass dieser nicht die Rückwand berührt.

Bitte geben Sie in jeder Korrespondenz Modell und Gerätenummer an, die auf dem Typenschild an der Rückwand des Gerätes vermerkt sind.

## INSTALLATIONSANLEITUNG

Dieses Gerät muss unter Beachtung der gültigen Normen des jeweiligen Landes installiert werden.

BS 5482 Kapitel 2, Installation in einem Wohnwagen o. ä.  
Kapitel 3, Installation in einem Boot, einer Yacht oder einem anderen Wasserfahrzeug.

BS 6172 Gültige Normen für die Installation von Gasöfen für den Hausgebrauch.

DIESE GERÄTE MÜSSEN VON EINEM FACHMANN INSTALLIERT WERDEN (z.B. von einem zugelassenen Gasmonteur).

## BELÜFTUNG

Damit der Ofen sicher und zuverlässig funktioniert, muss für ausreichende Belüftung gesorgt sein. Wenn keine permanente Belüftungsvorrichtung vorhanden ist, müssen zwei Lüftungsöffnungen von 95 cm<sup>2</sup> vorgesehen werden, eine in Boden und eine in Deckennähe. Öfen und Herde nicht in Bereichen einbauen, die starkem Durchzug ausgesetzt sind.

## INSTALLATION

Das Gerät darf nur in den auf der Plakette aufgeführten Ländern installiert/verwendet werden. Dabei muss beachtet werden, dass die Gaszufuhr den richtigen Druck hat (siehe/vgl. DIAGRAMM 1).

Die Befestigung des Gerätes erfolgt entweder durch Befestigungswinkelstücke oder durch Kardanaufhängung.

Einstellbare Winkelstücke zur Befestigung des Gerätes können mitgeliefert werden. Sie werden an den dafür vorgesehenen Schraubpunkten an jeder Ecke des Geräts und an der Schrankbasis angebracht (BILD 2).

Bei Verwendung einer Kardanik, erst überprüfen, ob die Wand stark genug ist, das Gewicht des Gerätes zu tragen und dass die Gaszufuhrleitung genügend Spiel hat, um sich mit dem Gerät zu bewegen, ohne dabei belastet oder beschädigt zu werden.

Ein 40 mm Luftzwischenraum muss an der Rückseite jedes Ofens berücksichtigt werden. Ein Abstandsstück sorgt dafür, dass dieser Zwischenraum eingehalten wird (BILD 3).

Über der Herdplatte darf in einem Abstand von mindestens 400 mm kein Hindernis vorhanden sein (BILD 4). Wenn Öfen in eine Aussparung oder eine Kücheneinheit eingebaut werden, muss an jeder Seite ein Luftzwischenraum von 20 mm eingehalten werden (BILD 4). Für die Ummantelung ist nicht-brennbares Material zu verwenden, wie z.B. 0.5 mm Stahlblech.

Es ist dafür zu sorgen, dass an der Basis, an der Rückseite und den Seiten der Luftzug des Gerätes nicht behindert wird. Eine Behinderung des Luftzugs kann mangelhafte Verbrennung im Ofen verursachen.

Bei einem längeren intensiven Gebrauch des Gerätes ist eine verstärkte Luftzufuhr nötig. Öffnen Sie in diesem Fall ein Fenster oder erhöhen Sie die Ventilation.

## GERÄTABMESSUNGEN (BILD 5)

Modell	Höhe (mm)	Breite (mm)	Tiefe (mm)
Neptune	575	500	420
Pacific	440	500	420
Neptune Hob	220	500	420
Gulf	100	500	380
Caribbean	420	500	420

## GASANSCHLUSS

Diese Geräte dienen ausschliesslich zur Verwendung mit Flüssiggasen mit folgendem Eingangsdruck :

28 mbar für Butangas (G30)

37 mbar für Propangas (G31)

Der Gaseingang an der Rückseite, oben links, auf der entweder ein flexibler Schlauch oder eine Mutter angebracht wird. Es wird empfohlen, dass die Anschlussleitung, wenn möglich, aus Kupfer ist, und dass ein Absperrhahn an der Zufuhrleitung des Gerätes angebracht wird.

Für Geräte mit flexiblem Schlauch sollte ein entsprechend geschützter Schlauch verwendet werden. Bei der Installation ist zu beachten, dass die Zufuhrleitung nicht die Rückwand des Gehäuses berührt.

Das Gerät ist mit einem Druckmessanschluss versehen, der sich neben dem Eingangsanschluss befindet. Um den Zufuhrdruck zu überprüfen, Schraube entfernen und Druckmesser anschliessen.

Nach Installation sollte der Gasanschluss nach Gaslecks überprüft werden. Wenn kein Leckortungsgerät vorhanden ist, können die Anschlüsse mit einem geeigneten Schaummittel (z.B. mildes Seifenwasser) überprüft werden. Es MUSS dafür gesorgt werden, dass der Bereich gut belüftet ist und es darf NICHT zu lange getestet werden. Wenn ein Leck vorhanden ist, könnte es zu einem Gasanstau kommen.

## **BRENNEREINSTELLUNG - UND LEISTUNGEN**

Alle Brenner werden im Werk für BUTANGAS (G 30 @ 28 mbar) / PROPANGAS (G31 @ 37 mbar).

### **BETRIEBSANLEITUNG**

ÜBERPRÜFEN SIE, DASS DAS GAS AN DER FLASCHE AUFGEDREHT IST. ES WIRD EMPFOHLEN EINEN FUNKENZÜNDER ZU BENUTZEN UND NICHT EINE OFFENE FLAMME.

Alle Brenner sind mit einer Sicherheitsabstellvorrichtung für Flammenversagen ausgerüstet. Wenn die Flamme erlischt, wird die Gaszufuhr zum Brenner unterbrochen. Die Flamme sollte blau sein, kann jedoch gelbe Spitzen aufweisen. Die Flammenhöhe sollte gleichmässig und stabil sein.

Gewisse Modelle sind mit einer elektronischen Anzündvorrichtung versehen, benützen Sie 1 x LR6 (AA) Batterien. Das Batteriefach befindet sich unter der Herdplatte, neben der Gaszufuhr an der Rückseite des Geräts. Die Batterien sollten regelmässig überprüft werden. Um die elektronische Anzündvorrichtung in Gang zu setzen, drücken Sie nicht länger als 15 Sekunden vorne auf den Knopf. Wenn keine Flamme auf dem Herd erscheint, muss die Gaszufuhr abgeschlossen werden (im Falle des Ofens muss die Ofentür geöffnet werden). Eine Minute warten, bevor der Vorgang wiederholt wird.

Um den Brenner zu entzünden, wird der entsprechende Knopf eingedrückt und dann gegen den Uhrzeigersinn bis zur höchsten Flammeneinstellung gedreht (grosses Flammensymbol, Einstellung 9 für den Ofen), siehe Abbildung 7. Dann Funkenzünder an den Brenner halten. Die Flamme sollte sofort brennen, jedoch sollte der Knopf noch 15 Sekunden festgehalten werden. Wenn die Flamme bei Freigabe des Knopfes ausgeht, Vorgang wiederholen und Knopf etwas länger eingedrückt halten. Dann kann der Knopf auf die gewünschte Einstellung gedreht werden (von Hoch bis Niedrig). Wenn ein Brenner erlischt muß die Gasklappe geschlossen und das Gerät eine Minute lang nicht benutzt werden, damit das nicht verbrannte Gas verfliegt, bevor Sie den Vorgang wiederholen. Wenn der Brenner des Ofens erlischt, Ofentür öffnen. Zum Abstellen dreht man den Knopf im Uhrzeigersinn bis zur AUS-Position (● Symbol vertikal über dem Knopf).

Das Gerät sollte in einem gut gelüfteten Raum installiert sein, damit Hitze und Dampf sich nicht stauen ; bringen Sie eine Abzugshaube an oder versichern Sie sich, dass geeignete Abzugslöcher vorgesehen sind. Bei langem Gebrauch sollte ein Fenster geöffnet oder die Ventilation stärker gestellt werden.

## **HERD**

Jede beliebige Einstellung zwischen hoher und niedriger Flamme (sieden) kann durch Plazieren des Knopfes zwischen diesen beiden Einstellungen erreicht werden. Die Brenner eignen sich für Topfgrössen von 10 cm bis 22 cm Durchmesser.

### **GRILL**

Bitte tragen Sie Handschuhe, der Griff des Grills kann sehr heiss werden, wenn die Grillpfanne zu weit unter den Grill geschoben wird. Für beste Leistung sollte die Grillpfanne zirka 30 mm von der Vorderkante der Grillöffnung entfernt plaziert werden. Es ist nicht nötig den Grill vorzuheizen, wenn er jedoch vorgeheizt wird, sollte die leere Grillpfanne eingeschoben werden, um den Grillboden zu schützen.

Der Grillpfannhalter kann in zwei verschiedene Grillhöhen eingestellt werden.

### **BACKOFEN**

Die besten Ergebnisse werden erzielt wenn der Backofen circa 15/20 Minuten in der gewünschten Temperatureinstellung vorgeheizt wird. Der Knopf hat 9 markierte Einstellungen, die den unten angegebenen Temperaturen entsprechen. Zwischentemperaturen können durch Drehen des Knopfes auf die entsprechende Einstellung erreicht werden.

Nachstehend finden Sie eine Tabelle mit der Temperaturangabe für die verschiedenen Positionen.

Einstellung 1	110°C
Einstellung 2	130°C
Einstellung 3	150°C
Einstellung 4	170°C
Einstellung 5	190°C
Einstellung 6	210°C
Einstellung 7	230°C
Einstellung 8	250°C
Einstellung 9	275°C

## ZUBEHÖR (JE NACH MODELL)

**Herdrost** - Er wird zuerst in die beiden hinteren Löcher eingesetzt und rastet dann in die beiden vorderen Löcher ein. Auf diese Art und Weise wird jegliches Rütteln vermieden.

**Backofenrost** - Die beiden Haken müssen unter der Schiebeleiste eingreifen und die Kerben auf die Schiebeleiste heben. Wenn der Rost korrekt eingelegt ist, kann er nicht kippen, wenn er vorgezogen ist. BILD 8.

**Türsperre** - Manche Öfen sind mit einer Sperrvorrichtung aus Draht versehen, die an beiden Seiten in Löcher eingerastet und über die Tür gedrückt wird. Die gleiche Sperrvorrichtung kann für den Grill benutzt werden, indem sie in die beiden oberen Löcher eingesteckt wird.

**Blockierung der kardanischen Aufhängung** - Für die Modelle, die mit dieser Blockierung unter der Ofentüre ausgestattet sind, versichern Sie sich, dass die Oberseite des Ofens vollkommen stabil und waagrecht ist, wenn das Gerät an der Wand angebracht ist.

### Backblech

### Grillpfanne mit Halter

**Befestigungsstücke** - Zur Befestigung des Gerätes, siehe Installationsanleitung am Anfang.

## REINIGUNG

1. Nach jeder Benutzung des Herdes, die Platte mit einem feuchten Tuch reinigen, ggf. einen milden Flüssigreiniger verwenden.
2. Hartnäckige Flecken können normalerweise mit handelsüblichen Reinigungsmitteln entfernt werden. Benutzen Sie keine scharfen Scheuermaterialien, da diese Kratzer hinterlassen.
3. Den Backofen von innen mit einem feuchten Tuch reinigen. Wenn jedoch ein Reinigungsmittel erforderlich ist, verwenden Sie eines das für Email geeignet ist.
4. Flecken sollten sofort beseitigt werden, bevor sie einbrennen.

Wir empfehlen von Zeit zu Zeit die Emailkappen der Brenner abzunehmen und zu reinigen, um die Brennöffnungen sauber und fettfrei zu halten.

Die Einhaltung dieser Hinweise wird die Lebensdauer Ihres Herdes verlängern.

## WARTUNGSHINWEISE

Vor Wartungsarbeiten muss man dafür sorgen, dass die Gaszufuhr an der Flasche abgestellt und der Anschluss zum Gerät unterbrochen ist. Vor Entfernen der Herdplatte, überprüfen, dass kein Druck auf den Gasanschlüssen ist, da dies ein Gasleck verursachen könnte. ALLE GASANSCHLÜSSE UND MEMBRANE MÜSSEN EINWANDFREI INTAKT SEIN.

### Entfernung der Herdplatte :

- Kocherrost entfernen.
- Die 4 Schrauben an jeder Ecke der Herdplatte entfernen.
- Die Schraube neben jedem Brenner und dann die Emailkappe entfernen.
- Herdplatte entfernen.

### Auswechseln des Temperaturfühlers am Herd

- Herdplatte abnehmen, siehe oben.
- Temperaturfühler hinter dem Hahn abnehmen.
- Mutter zur Befestigung des Temperaturfühlers am Brenner losschrauben.
- Der neue Temperaturfühler kann dann in Form gebogen werden und der obige Prozess wird in umgekehrter Folge wiederholt.

### Auswechseln des Temperaturfühlers am Grill

- Herdplatte abnehmen, siehe oben.
- Temperaturfühler hinter dem Hahn abnehmen.
- Messfühler von der Grillhaube ablösen und abnehmen.
- Neuen Temperaturfühler einlegen. Überprüfen Sie, dass sich die Messfühlerspitze in einer Linie oder leicht oberhalb der Löcher im Grillrohr befindet und nicht mehr als 4 mm davon entfernt ist.

### Auswechseln des Temperaturfühlers am Backofen

- Herdplatte abnehmen, siehe oben.
- Die Winkelstücke links und dann die Seitenwand entfernen.
- Schrauben lösen und Rückwand entfernen.
- Temperaturfühlermutter hinter dem Hahn lösen.
- Die Muttern, die den Messfühler über dem Brenner hinten am Backofen halten, lösen.
- Den alten Temperaturfühler seitlich herausnehmen und durch den neuen ersetzen, wobei zu beachten ist, dass er nicht an der Tür hängen bleibt.
- Die Spitze des Temperaturfühlers sollte sich zirka 1.5 cm über der Mitte des Brenners befinden.
- Beim Einsetzen der Seitenwand sollten sich alle Kanten innerhalb des Rahmens befinden.

Die Gasklappen dieses Gerätes dürfen weder zum Ölen noch aus Wartungsgründen abmontiert werden. Falls nötig, muß die ganze Gasklappe ersetzt werden.

Wenn das Gerät gründlichere Wartungsarbeiten oder Auswechseln anderer Teile erfordert, sollte dies durch einen Fachmann ausgeführt werden (z.B. zugelassener Gasmonteur).

Es wird empfohlen, das Gerät alle zwei Jahre fachmännisch warten zu lassen.

## ERSATZTEILE

**(Erhältlich bei der auf der Rückseite angegebenen Adresse)**

<b>Beschreibung</b>	<b>Teil-Nr.</b>
Ofen-Temperaturfühler	LPS 180-1
Grill-Temperaturfühler	LPS 181-2
Herdplatten-Temperaturfühler	LPS 181-4
Backofenrost	LPS 212-2
Herdrost	3 Herdplatte LPS 213-2
	2 Herdplatte LPS 213-3
Backblech	LPS 219-1
Grillpfanne	LPS 220-1
Hahnknopf	LPS 252-1

**Bei Bestellung von Ersatzteilen, bitte immer alle auf dem Typenschild (an der Rückwand des Ofens) vermerkten Einzelheiten, sowie das Modell und den Gastyp angeben.**

## KÄYTTÖ-JA ASENNUSOHJEET PLASTIMO LIESILLE

### VAROITUS

Lue tarkkaan nämä ohjeet ennen kuin aloitat asennuksen ja käytön, jotta välttyt vahingoilta.

Kaikki kaasulaitteet, jotka asennetaan sisätiloihin pitää asentaa hyvin ilmastoituihin tiloihin.

Vain valtuutettu huoltomies voi tehdä säätöjä tai huoltoja kaasulaitteille. Jos laitteeseen tulee jotain vikaa, sulje pullon tai/ja lieden kaasuventtiili ja kutsu huoltomies korjaamaan se.

Älä irroita liedestä mitään osia tai vaihda niitä, mikä voisi vaikuttaa lieden turvalliseen toimintaan.

Asennuksessa tulee noudattaa kansallisia määräyksiä.

Jos käytät alumiinifoliota uunissa, varmista, että se ei sulje uunin poistohormia tai tukahduta poltinta.

Älä käytä aerosoleja lieden lähellä, kun se on toiminnassa.

Älä käytä liettä lämmittimenä.

Sulje grillipoltin kun olet ottanut grillipannun pois.

Varmista aina, että laitteen hanat on suljettu kun avaat pulloventtiilin. Varmista, että sytyttimesi toimii ennenkuin avaat polttimen hanan.

Jos aiot porata sivuille omat keinuripustimet, sinun pitää irroittaa ensin vasemman puoleinen sivu porataksesi, koska siellä on kaasuputki paneelin takana.

Jos käytät joustavaa letkua, varmista, ettei se osu koskaan lieden taustapaneeliin

Aina kun olet yhteydessä myyjään tai huoltoon käytä tyyppinumeroa, joka on taustalevyssä.

## ASENNUSOHJEET

Liesi tulee asentaa kansallisten standardien ja määräysten mukaan.

TÄMÄN LAITTEEN SAA ASENTAA VAIN VALTUUTETTU ASENTAJA.

## ILMANVAIHTO

Varmista, että liedelle on tarpeellinen ilmanvaihto, jotta se toimisi turvallisesti ja tehokkaasti.

Jos ilmanvaihtoa ei ole, asenna kaksi vähintään 95 cm<sup>2</sup> halkaisijaltaan olevaa aukkoa tilaan, ja johda yksi ilmanvaihtoputki lattiatasolle.

Älä asenna liettä paikkaan, jossa on kova veto.

## ASENNUS

Tämän laitteen saa asentaa vain tunnustuslaatassa merkityissä maissa käyttäen oikeata kaasun painetta, joka on mainittu jäljempänä.

Liesi pitää asentaa paikalleen käyttämällä kiinteää jalka- tai keinuripustustelinettä.

Säädettävä jalka varmistaa liedien oikean asennon.

Liedessä on valmiiksi suojatut ruuvipaikat joka alakulmassa. KUVA 2.

Jos käytät keinuripustusta varmista, että laipio kestää liedien painon ja että kaasun sisääntuloletku pääsee liikkumaan vapaasti liedien kanssa eikä joudu koskaan puristuksiin tai vahingoitu.

Lieden joka sivulle pitää jäädä vähintään 40 mm ilmaväli. Takana oleva pysäytin varmistaa takavälin. KUVA 3.

Lieden yläpuolella pitää olla vähintään 400 mm vapaata tilaa. KUVA 4.

Jos liesi asennetaan kaappiin pitää sen joka sivulla olla vähintään 20 mm vapaata tilaa ja sivut on suojattava palamattomalla materiaalilla, esim 0.5 mm pellillä.

Varmista, että ilma virtaa vapaasti liedien sivuilla ja takana. Esteet voivat vaikuttaa, että laitteen uuni toimii tehottomasti.

Tämän laitteen pitkä yhtämittainen käyttö saattaa vaatia lisää ilmanvaihtoa, esim avaamalla luukkuja tai asentamalla lisää tuulettimen.

## LIEDEN MITAT (KUVA 5)

Mitat	Korkeus (mm)	Leveys (mm)	Syvyys (mm)
Neptune	575	500	420
Pacific	440	500	420
Neptune Hob	220	500	420
Gulf	100	500	380
Caribbean	420	500	420

## KAASUN LIITÄNTÄ

Nämä liedet toimivat vain nestekaasulla seuraavasti:

28 mbar Butaani (G30)

37 mbar Propani (G31)

Kaasun sisääntulo on laitteen takana vasemmalla sivulla. On suositeltavaa, että liitosputki on kuparia missä mahdollista, sulkuventtiili on asennettava kaasuputkeen ennen liettä.

Liesi on varustettu painetestipisteellä, joka on sijoitettu sisääntuloliittimen viereen. Tarkistaaksesi paineen, irroita ensin ruuvi ja kiinnitä sitten mittari tilalle.

Kun kaasuliitokset on asennettu ne pitää testata vuotojen varalta. Jos sopivaa mittaria ei ole, voit testata vuodot vaahtoavalla liuoksella (saippuavettä). Varmista, että tila on hyvin ilmastoitu, testaa vain lyhyt aika. Jos kaasu vuotaa, on riski kaasun kerääntymiselle.

## POLTTIMEN SÄÄTÖ

Kaikki polttimet toimitetaan valmiina käyttöön BUTAANILLE (G30 @ 28mbar) / PROPANIA (G31 @ 37mbar).

## KÄYTTÖ

TARKISTA, ETTÄ PULLOVENTTIILI ON AUKI. SUOSITTELEMME LIEKIN SYTYTTÄMISTÄ SYTYTTIMELLÄ.

Kaikissa polttimissa on liekinvartija vakiona, joka sulkee kaasun tulon automaattisesti, jos poltin sammuu.

Liekin pitää palaa sinisellä liekillä, joskus voi myös näkyä keltaista väriä. Liekin pitää palaa myös vakaasti ja rauhallisesti.

Jotkut mallit sisältävät elektronisen sytytysjärjestelmän, tämä käyttää 1 × LR6 (AA) paristoa. Paristokotelo on sijoitettu liedenkannen alapuolelle taakse oikealle. Paristot tulee tarkistaa säännöllisesti. Järjestelmä aktivoidaan painamalla tähdellä merkittyä nappia etulevyssä. Sytytys ei saa käyttää 15 sekuntia pidempään. Jos poltin ei ole syttynyt, sulje kaasu ja uuni avaa uunin luukku vähintään 1 minuutin ajaksi ennen kuin yrität sytyttää uudelleen.

Sytytä liekki painamalla valitun polttimen nappia ja käännä sitä vastapäivään loppuun asti (suuri liekkisymboli KUVA 7) ja sytytä sytyttimellä. Se voi syttyä heti, mutta jatka pitämällä nappia pohjassa 15 sekuntia. Jos liekki sammuu, toista sama operaatio painamalla pitempään.

Tämän jälkeen voit säätää liekin sopivaksi.

Keittimen käyttö muodostaa kosteutta ja lämpöä. Varmista että tila on hyvin tuuletettu, pidä ilmaventtiili auki ja avaa tarvittaessa luukkuja ilmanvaihdon parantamiseksi.

## LIESI

Portaaton säätö min. ja max. välillä. Sopiva kattilan pohjan koko 10-22 cm.

## GRILLI

Käytä pannulappuja, sillä grillipannu tulee kuumaksi. Tehokkain paikka pannulle on 30 mm sisäänpäin liedен etureunasta. On tarpeetonta lämmittää grilliä ennen käyttöä.

Grillipannulle on kaksi eri korkeustasoa grillaamiseen.

## UUNI

Parhaiten se toimii kun lämmität sen etukäteen haluttuun lämpötilaan. Se vie aikaa noin 15-20 minuuttia.

Napissa on kahdeksan merkkiä, jotka tarkoittavat keskimäärin seuraavia lämpötiloja.

Taso 1	110°C
Taso 2	130°C
Taso 3	150°C
Taso 4	170°C
Taso 5	190°C
Taso 6	210°C
Taso 7	230°C
Taso 8	250°C

## LIEDEN VARUSTEET

**Kattilapitimet** - pitävät kattilat paikoillaan.

**Uuniritilä** - asenna ritilä, paina koukut valmiisiin reikiin. Tämän jälkeen ritilä voidaan asettaa paikoilleen. KUVA 8

**Luukunsuljin** - voidaan käyttää myös grillissä.

**Keinuripustimen lukitus** malleissa joiden lukitus on uuninluukun alapuolella pitää keinuripustimet asentaa laipioon niin että liedен yläreuna on oikealla tasolla, kun liesi on lukittu.

## Uunipelti

## Grillipannu

## Asennusjalat

## PUHDISTUS

1. Jokaisen käytön jälkeen liesi pitää pyyhkiä kuivalla rätillä, jos lika on rasvaista käytä mietoa puhdistusainetta.
2. Käytä vaikeimpiin tahroihin jotain tunnettua puhdistusainetta, älä käytä materiaaleja, jotka voivat naarmuttaa pintoja.
3. Käytä uunin puhdistukseen kaasuuuneille tarkoitettua puhdistusainetta, jotka ovat sopivia emalille.
4. Kuivaa puhdistusaineiden jäänteet ennen liedен käyttöä.

Suosittellemme, että irroitatte ja puhdistatte emalipäällysteisen polttimenkannen säännöllisesti.



## HUOLTO

Ennen kunnossapitoa varmista, että kaikki kaasuhanat on suljettu ja letku irroitettu. Ole varovainen purkaessasi putkea ja letkua, sillä ne voivat vaurioitua helposti. **YKSIKÄÄN KAASULIITOS EI SAA OLLA VAURIOITUNUT, VAIHDA NE.**

### KANNEN IRROITUS

- Irroita kattila pitimet
- Irroita 4 asennusruuvia
- vapauta sokka ruuvi jokaisesta polttimosta ja irroita emalikannet
- Nosta kansi pois

### VAIHDA TERMOSTAATTI

- Ota kansi pois
- Irroita termostaatti hanan takapuolelta
- Ota pois mutteri, joka kiinnittää termostaatin polttimoon
- Vaihda uusi termostaatti tilalle

### VAIHDA GRILLITERMOSTAATTI

- Ota kansi pois
- Ota termostaatti irti hanan sivulta
- Ota grillisuojan suojus pois grillin sisältä
- Vaihda uusi termostaatti

### VAIHDA UUNITERMOSTAATTI

- Ota kansi pois
- Irroita laitteen pohjasta vasemman puoleiset 2 jalkaa, jolloin sivupaneeli voidaan irroittaa
- Ota pois oikea sivu
- Ota pois takapäät
- Irroita mutterit jotka pitävät polttimon paikallaan uunin takaosassa
- Ota termostaatti pois hanan sivulta
- Kiinnitä uusi termostaatti
- Kiinnitä kaikki takaisin paikoilleen

Kaasuventtiileitä ei saa rasvata eikä korjata, jos niissä on vikaa ne pitää vaihtaa uusiin.

Kutsu huoltomies, kun tarvitset huoltoa.

Suosittellemme huoltoa joka toinen vuosi.

## VARAOSAT

<b>Nimike</b>	<b>osa nro</b>
Uunitermostaatti	LPS 180-1
Grillitermostaatti	LPS 181-2
Liesitermostaatti	LPS 181-4
Uunipannu	LPS 212-2
Uunipellintuki	3 Liesipoltin LPS 213-2
	2 Liesipoltin LPS 213-3
Grillipannu	LPS 220-1
Säätönappi	LPS 252-1

**TARKISTA TYYPPI KILVESTÄ YKSITYISKOHDAT JA MALLI SEKÄ KAASU TYYPPI TILATESSASI VARAOSIA.**

# PLASTIMO AROUND THE WORLD

## FRANCE

### PLASTIMO

15 RUE INGÉNIEUR VERRIÈRE

BP 435

56325 LORIENT

TEL: (33) 97 87 36 36

FAX: (33) 97 87 36 49

## NETHERLANDS

### PLASTIMO HOLLAND B.V.

SLOOTWEG 12

2871 RP SCHOONHOVEN

POSTBUS 248

2870 AE SCHOONHOVEN

TEL: (31) 1823 84011

FAX: (31) 1823 87012

## SPAIN

### PLASTIMO ESPANA SA

AVENIDA NARCIS MONTURIOL 17

08339 VILASSAR DE DALT

BARCELONA

TEL: (34) 3 750 75 04

FAX: (34) 3 750 75 34

## SWEDEN & FINLAND

### PLASTIMO NORDIC AB.

BOX 28

INDUSTRIEVÄGEN

440 90 HENAN

TEL: (46) 304 310 10

FAX: (46) 304 307 43

## UNITED KINGDOM

### PLASTIMO MANUFACTURING (UK) LTD.

SCHOOL LANE

CHANDLERS FORD INDUSTRIAL ESTATE

EASTLEIGH

HANTS.

SO53 4DG

TEL: (44) 0 1703 262211

FAX: (44) 0 1703 266328